

### Product Description

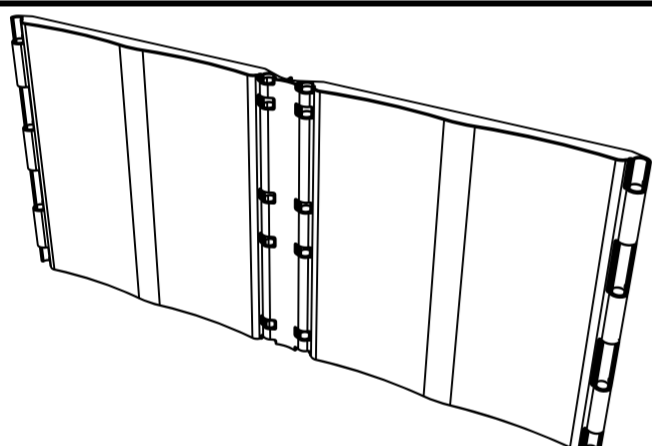
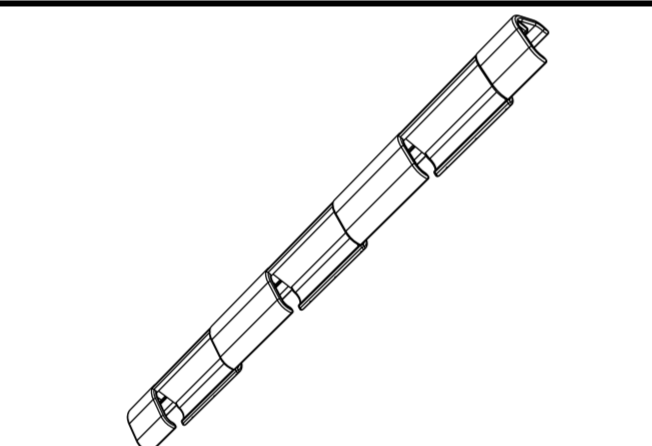
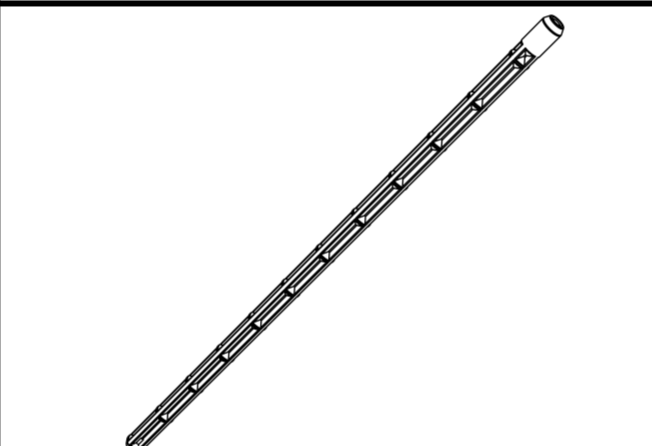
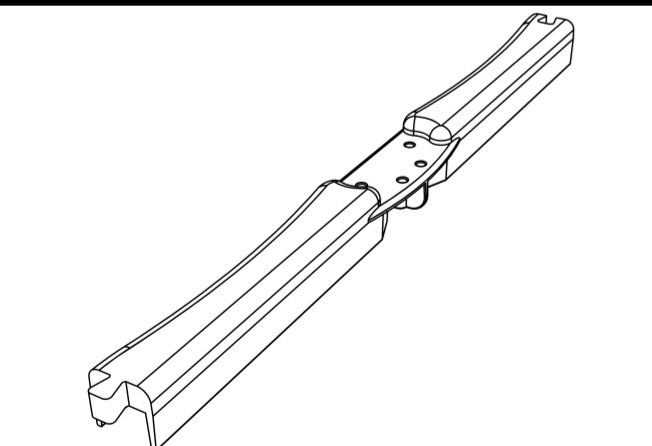
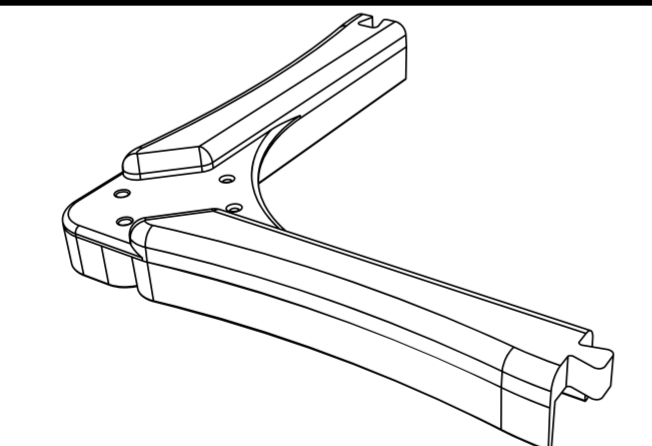
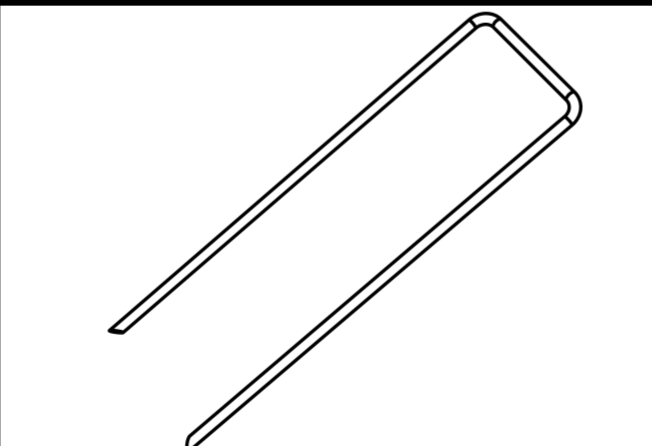
The EcoGrow™ is a Smart Food Growing (SFG) solution for vegetables, herbs, small fruit trees or flowers. Using the Square Foot Gardening principles, a hugely popular vegetable growing method invented in the USA by civil engineer Mel Bartholomew, the EcoGrow™ simplifies the gardening process, allowing higher yields to be grown in smaller spaces, with minimal effort.

The EcoGrow™ is made from Ultra-violet (UV) stabilised high-quality recycled polypropylene plastic. Our preference is to use recycled plastic, as that helps to make beneficial use of recycled plastic, thereby promoting a circular economy and cleaning our environment.

We want people to grow their own nutritious food, ideally in home-made compost, saving you money, improving your nutrition intake and reducing your carbon footprint.

Let's Get Growing!

### Contents

<b>Wall XL</b> 		<b>Corner Connector</b> 		<b>Connector Rod</b> 	
WB-WallXL	Qty: 4	WB-C90	Qty: 4	WB-CRod	Qty: 8
<b>Combing - Straight</b> 		<b>Combing - Corner</b> 		<b>Anchor Peg</b> 	
WB-CmbS	Qty: 4	WB-CmbC	Qty: 4	SFG-Peg	Qty: 4

### Useful Links

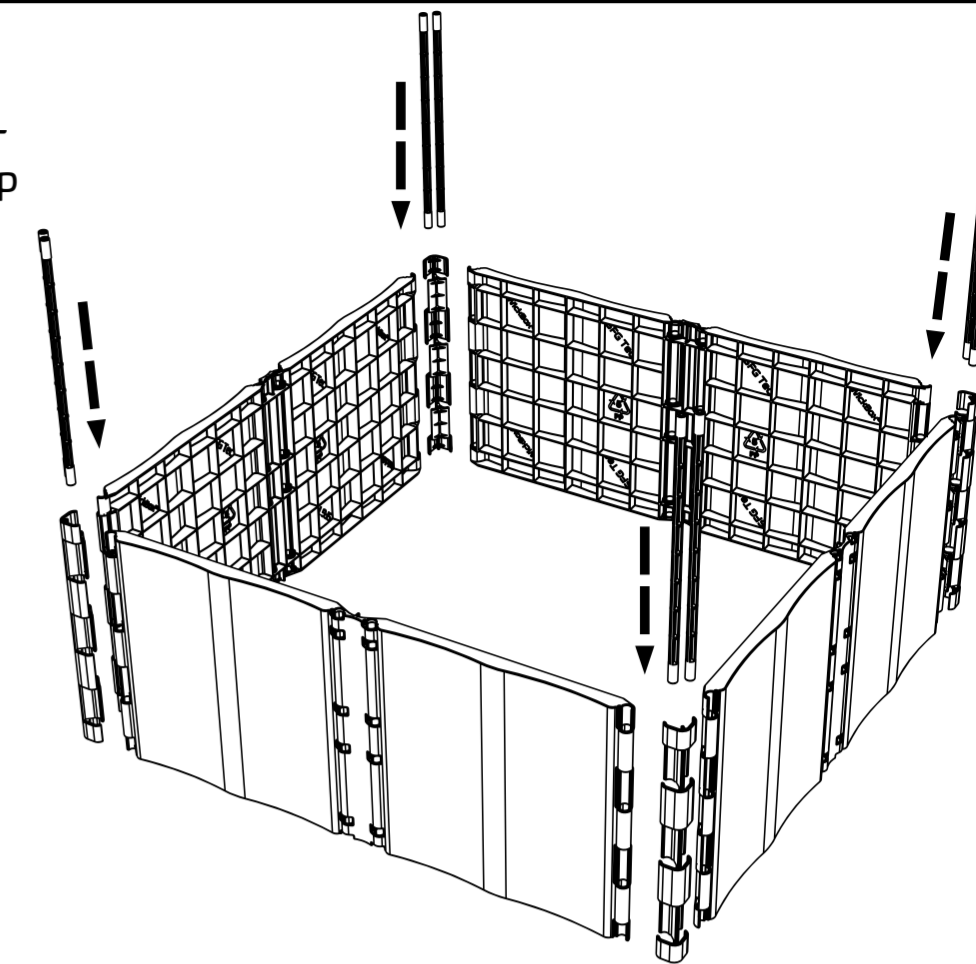


Step 1:

Slide two (2) Walls (WB-WallXL) into a Corner Connector (WB-C90) and insert Connector Rods (WB-CRod) into the holes (clip first).

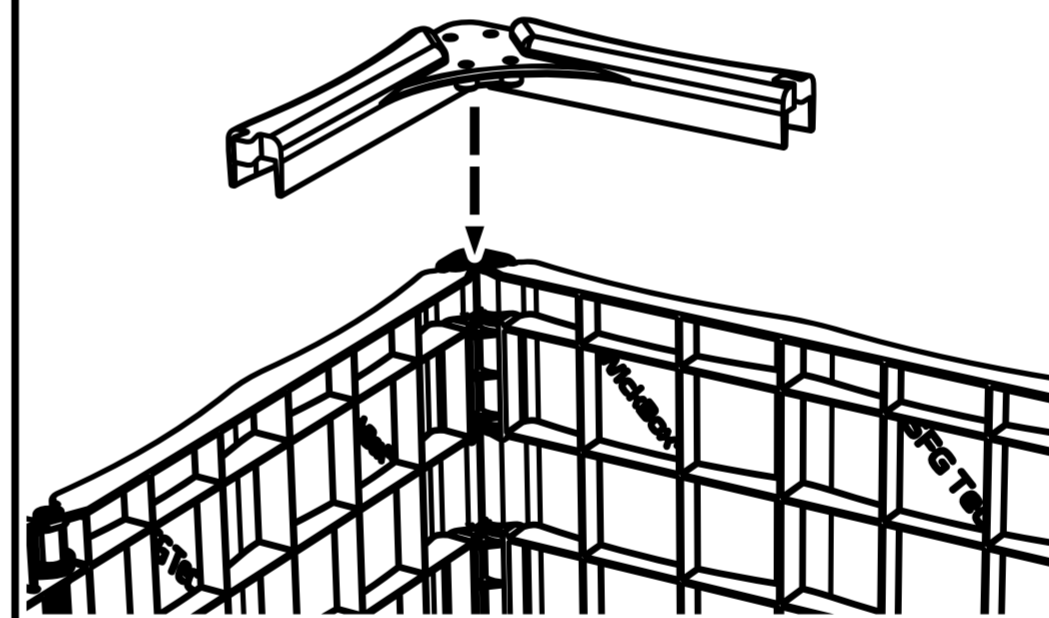
Slide another Corner Connector (WB-C90) onto one (1) of the assembled Walls and insert a Connector Rod (WB-CRod) into the hole.

Continue assembling in this way to create a square.



Step 2:

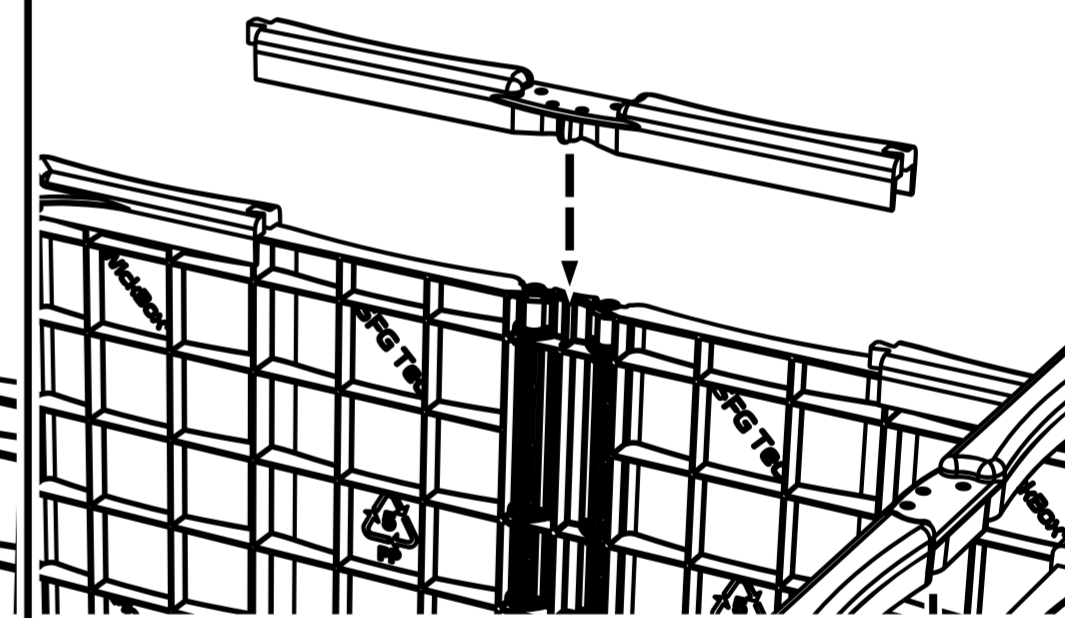
Push the four (4) Corner Combings (WB-CmbC) over the corners of the assembled walls.



Step 3:

Push the four (4) Straight Combings (WB-CmbS) over the middle of the assembled walls.

Ensure that the dove tails line up correctly with the corresponding ones on the Corner Combings.



Step 4:

Insert the Anchor Peg (SFG-Peg) into the bottom holes in the middle of the Wall XL (WB-WallXL).

Push the Anchor Peg into the ground to create a secure, non-slip anchor for the EcoGrow™. If the ground is hard a hammer may be required to do this.

Repeat the above for the remaining three (3) walls.

The Anchor Peg can also be used to secure weed gaurd under the EcoGrow™ if needed.

